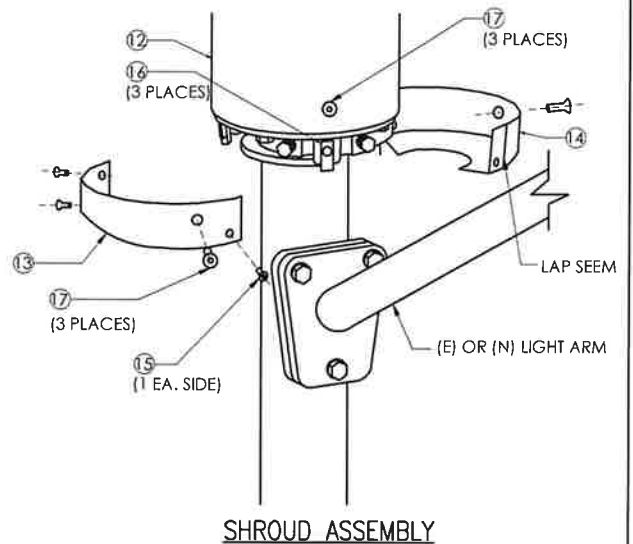
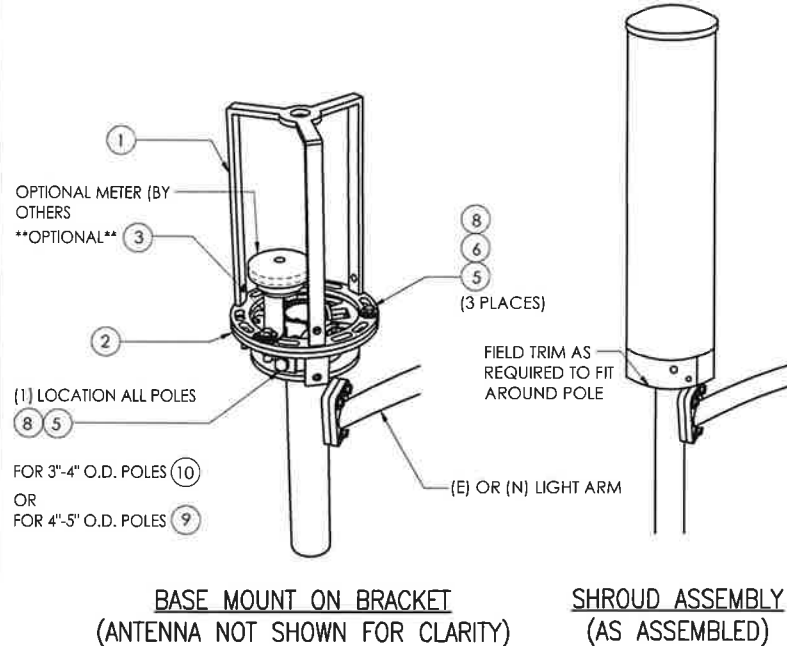
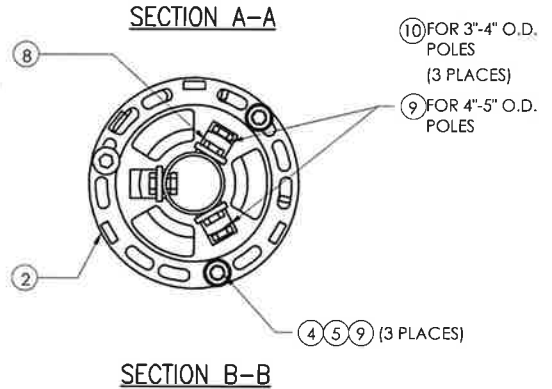
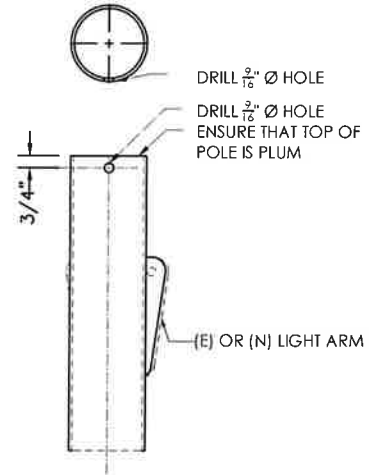
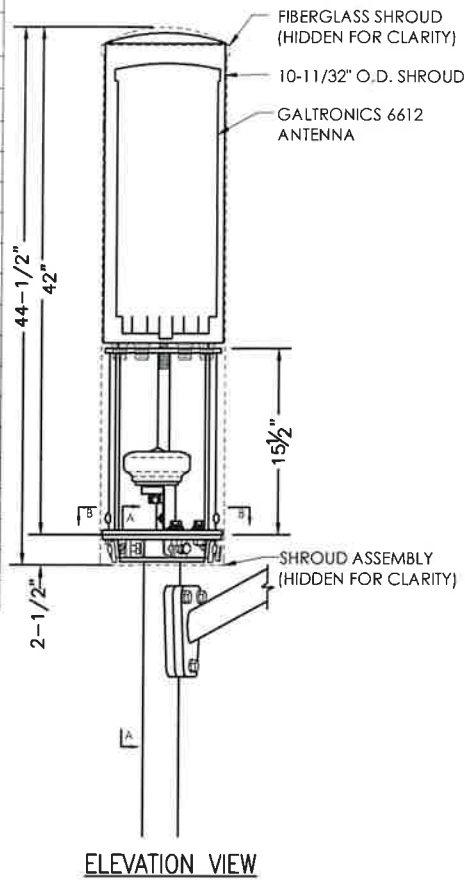


ITEM NO	DESCRIPTION	QTY
CLAMP ON BRACKET PARTS / HARDWARE		
1	3/4" x 10" O.D. ANTENNA CAGE	1
2	3/4" x 9-7/8" O.D. MOUNTING BRACKET	1
3	11 GA x 2 1/2" x 7-1/2" A569 METER BRACKET	1
4	3/8" O.D. x 1.032" O.D. x 121" FLAT WASHERS, S.S.	4
5	3/8" LOCKY WASHERS, S.S.	7
6	3/8" FLAT WASHER, TEFLON	3
7	3/8" FLAT WASHER, S.S.	3
8	3/8" JAM NUT, S.S.	5
9	3/8" x 1-1/2" FULLY THD BOLT, S.S.	5
10	3/8" x 2-1/2" FULLY THD BOLT, S.S.	2
11	3/8" x 3" LONG S.S. THREADED ROD	1
SHROUD ASSEMBLY & COVER PLATE PARTS / HARDWARE		
12	10-11/32" O.D. x 42" FIBERGLASS SHROUD ASSEMBLY	1
13	16 GA x 10-1/8" x 2-1/2" METAL SHROUD	1
14	16 GA x 10-1/8" x 2-1/2" METAL SHROUD	1
15	1/4" O.D. 1" FHCS, S.S.	2
16	3/8" x 1/2" SPRING NUT	3
17	3/8" O.D. x 1-1/2" FHCS, S.S.	6



2018 Micro Wireless Solutions Corp. Proprietary and Confidential, All parts and Specifications are subject to change.



LIGHT STANDARD ANTENNA MT. FOR 3" TO 5" O.D. POLES

FILE NO:	ASSEMBLY	US. PATENT 9,553,350
DR:	JV 9 / 19 / 2018	US. PAT PEND.
CK:	MD 9 / 19 / 2018	WEIGHT- 36LBS EACH

MICRO WIRELESS SOLUTIONS, CORP.
2977 YGNACIO VALLEY RD., Ste. 426
WALNUT CREEK, CA, USA 94598